

I-JOIST FRAMING CONNECTORS



FACE MOUNT HANGERS

Single I-Joist				Double I-Joist			
Width	Depth	Hanger	Down Load	Width	Depth	Hanger	Down Load
1½"	9½"	IUT29	890	3"	9½"	U210-2	1860
	11⅞"	IUT211	1110		11⅞"	U210-2	1860
1¾"	9¼"	IUT9	890	3½"	9¼"	U410	1860
	9½"	IUT9	890		9½"	U410	1860
	11¼"	IUT11	1110		11¼"	U410	1860
	11⅞"	IUT11	1110		11⅞"	U410	1860
	14"	IUT14	1555		14"	U414	2130
	16"	IUNT1.81/16	1775		16"	U414	2130
2⅝"	11⅞"	IUT3512	1110	4⅝"	11⅞"	MIU4.75/11	2130
	14"	IUT3514	1555		14"	MIU4.75/14	2395
	16"	IUT3516	1775		16"	MIU4.75/16	2660
3½"	11⅞"	IUT412	1110	7"	11⅞"	HU412-2	2950
	14"	IUT414	1555		14"	HU414-2	3485
	16"	IUT416	1775		16"	HU414-2 ⁽¹⁾	3485

(1) Web stiffener required.

TOP FLANGE HANGERS

Single I-Joist				Double I-Joist			
Width	Depth	Hanger	Down Load	Width	Depth	Hanger	Down Load
1½"	9½"	ITT29.5	1450	3"	9½"	MIT29.5-2	2400
	11⅞"	ITT211.88	1450		11⅞"	MIT211.88-2	2400
1¾"	9¼"	ITT9.25	1450	3½"	9¼"	MIT9.25-2	2400
	9½"	ITT9.5	1450		9½"	MIT9.5	2400
	11¼"	ITT11.25	1450		11¼"	MIT11.25-2	2400
	11⅞"	ITT11.88	1450		11⅞"	MIT411.88	2400
	14"	ITT14	1450		14"	MIT414	2400
	16"	ITT16	1450		16"	MIT416	2400
2⅝"	11⅞"	ITT3511.88	1450	4⅝"	11⅞"	MIT3511.88-2	2400
	14"	ITT3514	1450		14"	MIT3514-2	2400
	16"	MIT3516	2400		16"	WP3516-2 ⁽¹⁾	3255
3½"	11⅞"	ITT411.88	1450	7"	11⅞"	WPI411.88-2 ⁽¹⁾	3255
	14"	ITT414	1450		14"	WPI414-2 ⁽¹⁾	3255
	16"	MIT416	2400		16"	WPI416-2 ⁽¹⁾	3255

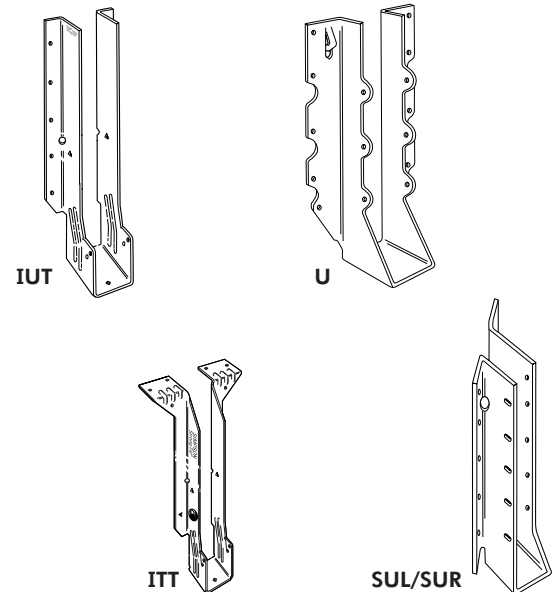
(1) Web stiffeners required.

SKEWED 45° HANGERS

Single I-Joist				Double I-Joist			
Width	Depth	Hanger	Down Load	Width	Depth	Hanger	Down Load
1½"	9½"	SUR/L210	1330	3"	9½"	SUR/L210-2	1860
	11⅞"	SUR/L210	1330		11⅞"	SUR/L210-2	1860
1¾"	9¼"	SURI/LI	1065	3½"	9¼"	SUR/L410	1860
	9½"	SURI/L19	1065		9½"	SUR/L410	1860
	11¼"	SURI/LI11	1330		11¼"	SUR/L410	1860
	11⅞"	SURI/LI11	1330		11⅞"	SUR/L414	2395
	14"	SURI/LI11	1330		14"	SUR/L414	2395
	16"	SURI/LI11	1330		16"	SUR/L414	2395
2⅝"	11⅞"	SURI/LI3510/12	1860	4⅝"	11⅞"	U3512-2X ⁽¹⁾	2130
	14"	SURI/LI3514/20	2395		14"	U3512-2X ⁽¹⁾	2130
	16"	SURI/LI3514/20	2395		16"	HU3516-2X ⁽¹⁾	3485
3½"	11⅞"	SUR/L410	1860	7"	11⅞"	HU410-2X ⁽¹⁾	2145
	14"	SUR/L414	2395		14"	HU414-2X ⁽¹⁾	2680
	16"	SUR/L414	2395		16"	HU414-2X ⁽¹⁾	2680

(1) Hanger must be special ordered. Specify skew angle and direction (e.g. U3512-2X, R45).

- Web stiffeners required for all I-joists used with Skewed 45° Hangers.



ADJUSTABLE HEIGHT HANGERS

Single I-Joist				Double I-Joist			
Width	Depth	Hanger	Down Load	Width	Depth	Hanger	Down Load
1½"	ALL	THAI222	1835	3"	ALL	THAI-2	2020
1¾"	ALL	THAI1.81/22	1835	3½"	ALL	THAI422	1835
2⅝"	ALL	THAI3522	1835	4⅝"	ALL	THAI-2	2020
3½"	ALL	THAI422	1835	7"	ALL		

See Simpson Wood Construction Connectors catalog for hanger selection

- THAI hanger not rated for uplift.
- Web stiffeners required for all I-joists used with Adjustable Height Hangers.

VARIABLE PITCH – SINGLE I-JOISTS

Single I-Joist			
Width	Depth	Hanger	Down Load
1½"	ALL	VPA2	1050
1¾"	ALL	VPA25	1050
2⅝"	ALL	VPA35	1230
3½"	ALL	VPA4	1230

- VPA connectors provide a bearing length of 2". They should not be used in applications that require longer bearing, such as intermediate supports.

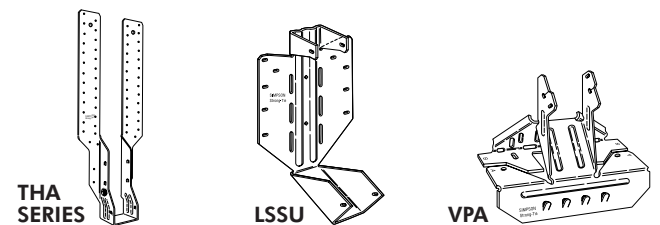
FIELD SLOPE AND SKEW

Single I-Joist				Double I-Joist			
Width	Depth	Hanger	Down Load	Width	Depth	Hanger	Down Load
1½"	9½"	LSSU28	885	3"	ALL	LSSU210-2	1825
	11⅞"	LSSU210	995		-	-	-
1¾"	ALL	LSSUI25	995	3½"	ALL	LSSU410	1825
2⅝"	ALL	LSSUI35	995	4⅝"	ALL	LSSU3510-2 ⁽¹⁾	2300
3½"	ALL	LSSU410	1825	7"	ALL		

See Simpson Wood Construction Connectors catalog for hanger selection

(1) Skew option must be factory ordered.

- Web stiffeners required for all I-joists used with Field Slope and Skew Hangers.



LVL FRAMING CONNECTORS

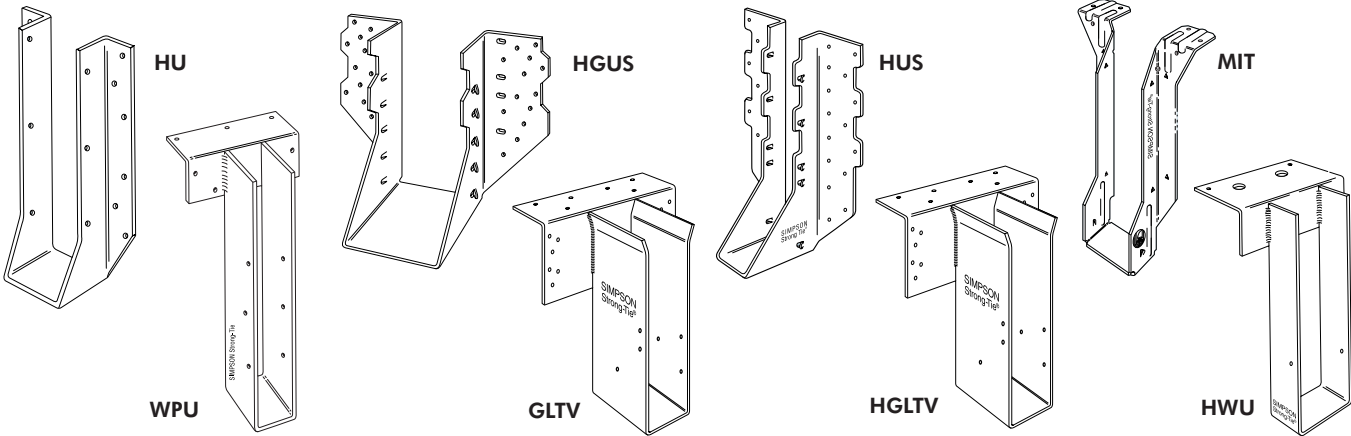


FACE MOUNT HANGERS

Single Ply – 1¾" wide			Double Ply – 3½" wide		
Depth	Hanger	Load (100%)	Depth	Hanger	Load (100%)
9¼"	HU9	3215	9¼"	HHUS410	5190
	HUS1.81/10	4900		HGUS410	7890
9½"	HU9	3215	9½"	HHUS410	5190
	HUS1.81/10	4900		HGUS410	7890
11¼"	HU11	4020	11¼"	HHUS410	5190
	HUS1.81/10	4900		HGUS412	9535
11⅞"	HU11	4020	11⅞"	HHUS410	5190
	HUS1.81/10	4900		HGUS412	9535
14"	HU14	4540	14"	HHUS410	5190
	HUS1.81/10	4900		HGUS414	11180
16"	HU14	4540	16"	HHUS410	5190
	HUS1.81/10	4900		HGUS414	11180
18"	-	-	18"	HHUS410	5190
	-	-		HGUS414	11180

FACE MOUNT HANGERS

Triple Ply – 5¼" wide			Quadruple Ply – 7" wide		
Depth	Hanger	Load (100%)	Depth	Hanger	Load (100%)
9¼"	HHUS5.50/10	5190	9¼"	HHUS7.25/10	5190
	HGUS5.50/10	7890		HGUS7.25/10	7890
9½"	HHUS5.50/10	5190	9½"	HHUS7.25/10	5190
	HGUS5.50/10	7890		HGUS7.25/10	7890
11¼"	HHUS5.50/10	5190	11¼"	HHUS7.25/10	5190
	HGUS5.50/12	9535		HGUS7.25/12	9535
11⅞"	HHUS5.50/10	5190	11⅞"	HHUS7.25/10	5190
	HGUS5.50/12	9535		HGUS7.25/12	9535
14"	HHUS5.50/10	5190	14"	HHUS7.25/10	5190
	HGUS5.50/14	11180		HGUS7.25/14	9665
16"	HHUS5.50/10	5190	16"	HHUS7.25/10	5190
	HGUS5.50/14	11180		HGUS7.25/14	9665
18"	HHUS5.50/10	5190	18"	HHUS7.25/10	5190
	HGUS5.50/14	11180		HGUS7.25/14	9665



TOP FLANGE HANGERS

Single Ply – 1¾" wide			Double Ply – 3½" wide		
Depth	Hanger	Load (100%)	Depth	Hanger	Load (100%)
9¼"	WPU1.81/9.25	4700	9¼"	HWU3.56/9.25	6335
	-	-		GLTV3.56/9.25	7500
9½"	MIT9.5	2550	9½"	HWU3.56/9.5	6335
	WPU1.81/9.5	4700		GLTV3.59	7000
11¼"	WPU1.81/11.25	4700	11¼"	HWU3.56/11.25	6335
	-	-		GLTV3.56/11.25	7500
11⅞"	MIT11.88	2550	11⅞"	HWU3.56/11.88	6335
	WPU1.81/11.88	4700		GLTV3.511	7000
14"	MIT1.81/14	2550	14"	HWU3.56/14	6335
	WPU1.81/14	4700		GLTV3.514	7000
16"	MIT1.81/16	2550	16"	HWU3.56/16	6335
	WP16	3635		HGLTV3.516	8665
18"	-	-	18"	HWU3.56/18	6335
	-	-		HGLTV3.516	8665

TOP FLANGE HANGERS

Triple Ply – 5¼" wide			Quadruple Ply – 7" wide		
Depth	Hanger	Load (100%)	Depth	Hanger	Load (100%)
9¼"	HWU5.50/9.25	6000	9¼"	HWU7.12/9.25	6000
	GLTV5.50/9.25	7500		GLTV49.25-2	7500
9½"	HWU5.50/9.5	6000	9½"	HWU7.12/9.5	6335
	HGLTV5.59	8665		GLTV49.5-2	7000
11¼"	HWU5.50/11.25	6000	11¼"	HWU7.12/11.25	7500
	GLTV5.50/11.25	7500		HGLTV411.25-2	10500
11⅞"	HWU5.50/11.88	6000	11⅞"	HWU7.12/11.88	6335
	HGLTV5.511	8665		HGLTV411.88-2	8665
14"	HWU5.50/14	6000	14"	HWU7.12/14	6335
	HGLTV5.514	8665		HGLTV414-2	8665
16"	HWU5.50/16	6000	16"	HWU7.12/16	6335
	HGLTV5.516	8665		HGLTV416-2	8665
18"	HWU5.50/18	6000	18"	HWU7.12/18	6335
	HGLTV5.518	8665		HGLTV418-2	8665

GENERAL NOTES

1. Loads listed are the lowest hanger/header/fastener limitations assuming header material is Douglas Fir-Larch, Southern Pine, or LVL manufactured in the United States. Joist reaction should be checked by a qualified designer to ensure proper hanger selection.
2. Loads shown are gravity (floor) loads. Other load durations may apply, refer to the current version of Wood Construction Connectors for allowable increases.
3. Top Flange Hanger configurations and thickness of Top Flange needs to be considered for flush frame conditions.

All hangers listed are manufactured by Simpson Strong-Tie® Co., Inc. For additional information, refer to the current Simpson Strong-Tie literature, www.strongtie.com or contact Simpson Strong-Tie at 800-999-5099. USP Lumber Connectors™ brand hangers may also be used. Refer to the current USP Lumber Connectors literature, www.uspconnectors.com or contact USP Lumber Connectors at 800-328-5934.